



Intuitive and efficient care: a better outcome.

With Split Siderails and with integrated controls – LI900B0

- Electric variable height
- Electric sliding backrest
- Electric thigh section
- Intelligent Auto Contour™
- Patient Egress position
- Bilateral emergency CPR control
- Lowest safety height indicator
- Line-of-Site™ Backrest indicator
- Manually adjustable foot section
- 4 section sleep deck with removable panels
- Adjustable mattress retainers
- Bilateral accessory holder
- 4 corner bumpers and accessory holders
- 6 patient restraint strap holders
- Moulded removable head and foot boards
- Mobile head section
- Endboard locks
- Steering wheel at head of bed
- Central braking on 4 castors
- Split Siderails with integrated controls
- Bilateral function lockouts¹
- Electric longitudinal tilt with Line-of-Site™ angle indicator¹
- Battery¹
- 150 mm castors¹

1. Option linked with split rails with embedded controls

Options

- Stationary head section
- EasyChair™ & Flat positions including Care Monitor
- Caregiver and patient control pendant
- Control on flexible arm
- Caregiver control at foot end of bed
- Shock position & night light
- Linen holder
- Bed extender²
- Brake-off indicator & High-low foot pedal
- Brake and steer pedal at head of bed
- Steering wheel at foot of bed
- 5th steering wheel
- 150 mm integral, double band, antistatic castors
- Choice of colours

2. Bed extender available with linen holder only

Hill-Rom. 900 Bed



Technical Specifications

Minimum bed height (150 mm castors)

Single castors.....	400 mm
Double band castors.....	386 mm
Integral castors.....	394 mm

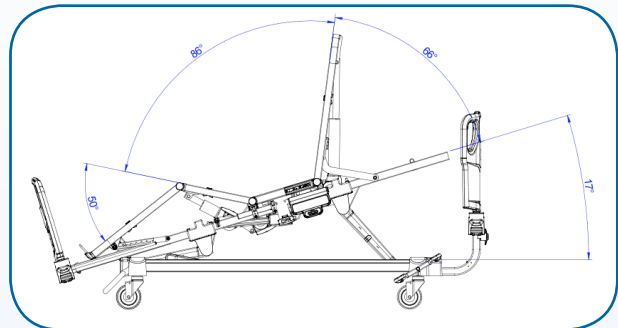
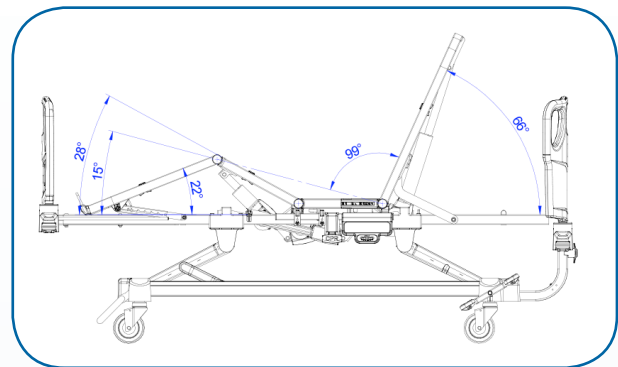
Maximum bed height (150 mm castors)

Single castors.....	780 mm
Double band castors.....	767 mm
Integral castors.....	775 mm

Bed length

Without extension.....	2180 mm
With extension.....	2380 mm

Bed width.....	995 mm
Safe working load.....	220 kg
Electric longitudinal tilt.....	+17° / -17°



NF MEDICAL "Hospital beds" compliant authorization N°: NF178-01/01 and NF ENVIRONMENT "Furniture" issued by: AFNOR CERTIFICATION, 11 rue Francis de Pressensé, 93571 La Plaine Saint Denis Cedex, France. Complies with standards: NF-S-90-312 (1984), EN-60601-1 (2005), EN-60601-1-2 (2007), EN-60601-2-52 (2010). Complies with essential requirements of EC directive 93/42/EEC applicable to class I medical equipment.

Hill-Rom and Design and Hill-Rom word mark are trademarks or registered trademarks of Hill-Rom Services Inc. Auto Contour, Line-of-Site and EasyChair are trademarks or registered trademarks of Hill-Rom Services, Inc.



Doc. No: SEN129306-01 • Design: Global MarCom, 2012-02

Hill-Rom

Enhancing Outcomes for Patients and Their Caregivers.™

France.....	+33 (0)2 97 50 92 12
United Kingdom.....	+44 (0)1530 411000
Deutschland.....	+49 (0)211 16450-0
Nederland.....	+31 (0)347 32 35 32
Italia.....	+ 39 (0)2 950541
Suisse/Schweiz.....	+41 (0)21 706 21 30
(deutschsprachig).....	+41 (0)21 706 21 38

Österreich.....	+43 (0)2243 28550
Ireland.....	+353 (0)1 413 6005
Iberia.....	+34 (0)93 6856000
Nordic Countries.....	+46 (0)20 78 10 30
Export.....	Contact your local Hill-Rom distributor or contact your Area Manager via website or call.....
	+1 812 934 8173

www.hill-rom.com

Autorizované zastoupení pro ČR:

DARTIN

DARTIN, spol. s r.o.
Suchdolská 688, 25262 Horoměřice
Tel./fax: 241 470 361, 261 216 076
www.dartin.cz
e-mail: info@dartin.cz

Autorizované zastúpenie pre SR:

DARTIN

DARTIN Slovensko, spol. s r.o.
L. Podjavorinskej 25, 08005 Prešov
Tel./fax: 051/7734403, 7723634
www.dartin.sk
e-mail: info@dartin.sk