

## Hill-Rom® 900 bed



### Simply Efficient.

#### Base model – LI900A0

- Electric variable height
- Electric sliding backrest
- Electric thigh section
- Manually adjustable foot section
- Intelligent Auto Contour™
- Patient Egress position
- Caregiver and patient control pendant
- Nurse control panel on patient right side, with function lockouts
- Bilateral emergency CPR control
- Lowest safety height indicator
- Line-of-site™ Backrest indicator
- 4 section sleep deck with removable panels
- Adjustable mattress retainers
- Bilateral accessory holder
- 4 corner bumpers and accessory holders
- 6 patient restraint strap holders
- Moulded removable head and foot boards
- Endboard locks
- 125 mm castors
- Steering wheel at head of bed
- Central braking on 4 castors
- Sleep deck length - 200 cm

#### Options

- Stationary head section
- Control on flexible arm
- Electric longitudinal tilt with Line-of-site™ angle indicator
- Battery (included with Electric tilt)
- Shock position\*
- Night light with lowest height indicator\*
- Bed extender\*\*
- Contemporary fold-away side rails with ergonomic release
- Patient egress handles
- EasyChair™\*\*\* seated position
- Sleep deck length - 190 cm
- Linen holder
- Brake and steer pedal at head of bed
- Steering wheel at foot of bed
- 150 mm single, integral, double band, antistatic castors
- Choice of colours

\* includes bilateral nurse control panel with function lockouts

\*\* Bed extender available with linen holder only

\*\*\* includes the Hill-Rom® Care Monitor

**Hill-Rom®**

Enhancing Outcomes for Patients and Their Caregivers.™

# Hill-Rom® 900 bed



## Technical Specifications

**Minimum bed height with 125 mm castors** ..... 370 mm

**Minimum bed height with 150 mm castors**

Single castors ..... 395 mm

Double band castors ..... 375 mm

Integral castors ..... 385 mm

**Maximum bed height with 125 mm castors** ..... 755 mm

**Maximum bed height with 150 mm castors**

Single castors ..... 780 mm

Double band castors ..... 760 mm

Integral castors ..... 770 mm

**Bed length**

Without extension, 200 cm sleep deck ..... 2180 mm

With extension, 200 cm sleep deck ..... 2380 mm

Without extension, 190 cm sleep deck ..... 2085 mm

With extension, 190 cm sleep deck ..... 2240 mm

**Bed width (with or without side rails)** ..... 1020 mm

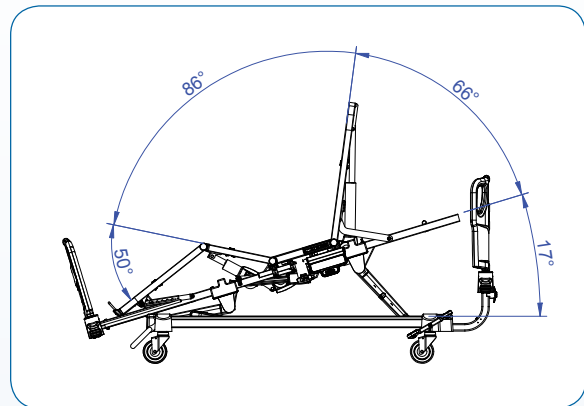
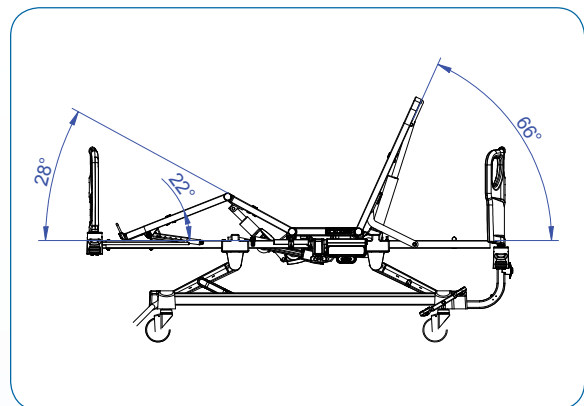
**Recommended mattress size** ..... 85-90 cm x 200 cm\*

*\*Please refer to the User Manual for specific details on safe mattress use*

**Safe Working Load** ..... 220 kg

**Bed articulations**

Electric longitudinal tilt ..... +17° / -17°



NF MEDICAL "Hospital beds" compliant authorization N°: NF178-01/01 issued by: AFNOR CERTIFICATION, 11 rue Francis de Pressensé, 93571 La Plaine Saint Denis Cedex, France.

Complies with standards: NF-S-90-312 (1984), EN-60601-1 (1996), EN-60601-1-2 (2001), EN-60601-2-38 (1999), IEC-60601-2-38 Amendment 1 (1999).

Complies with essential requirements of EC directive 93/42/EEC applicable to class I medical equipment.

Hill-Rom and Design and Hill-Rom word mark are trademarks or registered trademarks of Hill-Rom Services Inc.

Auto Contour, Line-of-site and EasyChair are trademarks or registered trademarks of Hill-Rom Services, Inc.



Doc. No. 5EN129301-01 • Design: Hill-Rom International Communications, 2010-04



Enhancing Outcomes for Patients and Their Caregivers.™

France ..... +33 (0)2 97 50 92 12  
 United Kingdom ..... +44 (0)1530 411000  
 Deutschland ..... +49 (0)211 16450-0  
 Nederland ..... +31 (0)347 32 35 32  
 Italia ..... + 39 (0)2 950541  
 Suisse/Schweiz ..... +41 (0)21 706 21 30  
 (deutschsprachig) ..... +41 (0)21 706 21 38

Österreich ..... +43 (0)2243 28550  
 Ireland ..... +353 (0)1 413 6005  
 Iberia ..... +34 (0)93 6856000  
 Nordic Countries ..... +46 (0)920 47 47 11  
 Export ..... Contact your local Hill-Rom® distributor or contact your Area Manager via website or call ..... +1 812 934 8173

Autorizované zastoupení pro ČR:



**DARTIN, spol. s r.o.**  
 Suchbátovská 688, 25262 Horoměřice  
 Tel./fax: 241 470 361, 261 216 076  
 www.dartin.cz  
 e-mail: info@dartin.cz

Autorizované zastúpenie pre SR:



**DARTIN Slovensko, spol. s r.o.**  
 Ľ. Podjavorinskej 25, 08005 Prešov  
 Tel./fax: 051/7734403, 7723634  
 www.dartin.sk  
 e-mail: info@dartin.sk